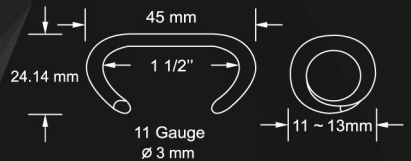


11 GA. Jumbo Manual Hog Ring Pliers

Model No: MHR50



Model No	MHR50
L x W x H	680x150x130 mm
Weight	4.2 kgs
Crown	45 mm
Shank Dia	3.0 mm
Closure Size	11~13 mm
Capacity	40 pcs
Equivalent	Stanley Bostitch Spenax® SC50HP

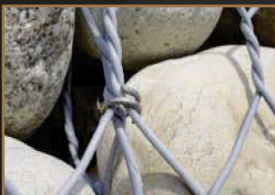
APPLICATION

- Gabion jobsites
- Erosion protection
- Retaining walls
- Soil reinforcement
- Road construction
- Coastal protection
- Civil engineering
- Silt fence
- Sand bag

FEATURES

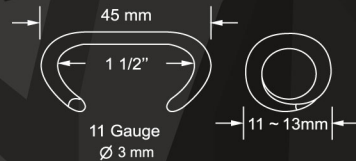
- Quick to use
- Easy loading of ring
- Ergonomic design
- Easy operated
- Jam-free system
- Durable
- Light weight

APPLICATION:



11 GA. Jumbo Pneumatic Gabion Hog Ring Pliers

Model No: JHR11130



Model No	JHR11130
L x W x H	510x240x370 mm
Weight	6.3 kgs
Capacity	120 pcs
Air Pressure	5~6 bar
Max Air Pressure	8 bar
Equivalent	Stanley Bostitch Spenax ® SC50HP MEIHO ® MC-50-1G

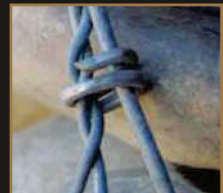
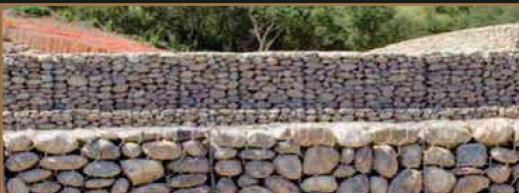
APPLICATION

- Very large bag closure
- Gabion
- Coastal protection
- Civil engineering
- Erosion protection retaining walls soil reinforcement
- Road construction

FEATURES

- Air driven

APPLICATION:



16 GA. Hog Ring Pliers

Model No: HR1630W

■ Most parts compatible with Stanley Bostitch Spenax SC760, MEIHO MC-660



Model No	HR1630W
L x W x H	332x100x200 mm
Weight	1.45 kgs
Crown	16.9 mm
Shank Dia	1.6 mm
Minimum Closure Size	3.0 mm
Capacity	130 pcs
Working Pressure	70~120 psi
Equivalent	Stanley Bostitch Spenax © SC760 MEIHO © MC-660



APPLICATION

- Pocket spring mattress assembly
- Car seating assembly
- Mattress upholstery (Bedding Industry)
- Bag closure
- Fences, greenhouses, cages assembly
- Industry in general

APPLICATION:



Car Seat Industry



Sofa Industry

FEATURES

- Long fiber compounds make it lighter and faster
- Reduce operator fatigue
- Easy loading process
- Muffler inside provides silent operation
- Extended magazine for loading 130 pcs of hog ring is available

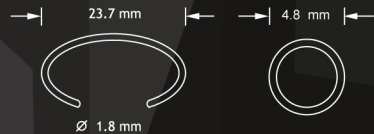
15 GA. Hog Ring Pliers

Model No: HR1848W

■ Most parts compatible with Stanley Bostitch® S4CLW, SC7C, SC7E



Model No	HR1848W
L x W x H	332x90x205 mm
Weight	1.5 kgs
Crown	23.7 mm
Shank Dia	1.8 mm
Minimum Closure Size	4.8 mm
Capacity	100 pcs
Working Pressure	70~120 psi
Equivalent	Stanley Bostitch Spenax® S4CLW, SC7C, SC7E MEIHO® MC-6CA, MC-6CALW



APPLICATION

- Pocket spring mattress assembly
- Car seating assembly
- Mattress upholstery (Bedding Industry)
- Bag closure
- Fences, greenhouses, cages assembly
- Industry in general

APPLICATION:



Car Seat Industry



Sofa Industry

FEATURES

- Long fiber compounds make it lighter and faster
- Reduce operator fatigue
- Easy loading process
- Muffler inside provides silent operation
- Extended magazine for loading 100 pcs of hog ring is available

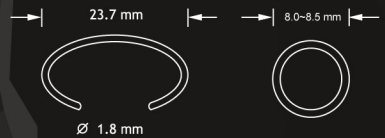
15 GA. Hog Ring Pliers

Model No: HR1880W

■ Most parts compatible with Stanley Bostitch® S4CLW, SC7C, SC7E



Model No	HR1880W
L x W x H	332x85x220 mm
Weight	1.5 kgs
Crown	23.7 mm
Shank Dia	1.8 mm
Closure Size	8.0~8.5 mm
Capacity	100 pcs
Working Pressure	70~120 psi
Equivalent	Stanley Bostitch Spenax ® S4CLW, SC7C, SC7E MEIHO ® MC-6CA, MC-6CALW



APPLICATION

- Pocket spring mattress assembly
- Car seating assembly
- Mattress upholstery (Bedding Industry)
- Bag closure
- Fences, greenhouses, cages assembly
- Industry in general

APPLICATION:



Car Seat Industry



Sofa Industry

FEATURES

- Long fiber compounds make it lighter and faster
- Reduce operator fatigue
- Easy loading process
- Muffler inside provides silent operation
- Extended magazine for loading 100 pcs of hog ring is available

15 GA. Hog Ring Pliers With Extension Nose

Model No: HR1880LW

■ Most parts compatible with Stanley Bostitch® S4CLW, SC7C, SC7E



Model No	HR1880LW
L x W x H	332x90x220 mm
Weight	1.5 kgs
Crown	23.7 mm
Shank Dia	1.8 mm
Closure Size	8.0~8.5 mm
Capacity	100 pcs
Working Pressure	70~120 psi
Equivalent	Stanley Bostitch Spenax® S4CLW, SC7C, SC7E MEIHO® MC-6CA, MC-6CALW



APPLICATION

- Pocket spring mattress assembly
- Car seating assembly
- Mattress upholstery (Bedding Industry)
- Bag closure
- Fences, greenhouses, cages assembly
- Industry in general

APPLICATION:



Car Seat Industry



Sofa Industry

FEATURES

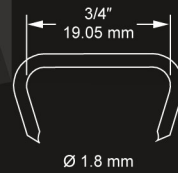
- Long fiber compounds make it lighter and faster
- Reduce operator fatigue
- Easy loading process
- Muffler inside provides silent operation
- 60.5 mm extended nose for coiling deeper corner
- Extended magazine for loading 100 pcs of hog ring is available

15 GA. Pneumatic D-Ring Pliers

Model No: DP22B



Model No	DP22B
L x W x H	245x55x255 mm
Weight	1.48 kgs
Gauge	15 GA
Capacity	50 pcs
Working air pressure	70~100 psi (5~7 bar)



APPLICATION

- Flange to innerspring
- Spring mattress
- Bag closure
- Poultry Cage
- Bedding
- Fencing
- Building Construction
- Furniture
- Ticking (Flange) to innerspring
- Novelty
- Components

FEATURES

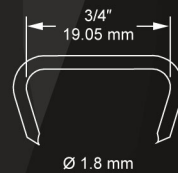
- Air Return
- Balanced, lightweight, ergonomically designed
- Easy-to-load magazine
- 360° rotation magazine

15 GA. Pneumatic D-Ring Pliers With Long Magazine

Model No: DP22D



Model No	DP22D
L x W x H	363x55x255 mm
Weight	1.57 kgs
Gauge	15 GA
Capacity	100 pcs
Working air pressure	70~100 psi (5~7 bar)



APPLICATION

- Flange to innerspring
- Spring mattress
- Bag closure
- Poultry Cage
- Bedding
- Fencing
- Building Construction
- Furniture
- Ticking (Flange) to innerspring
- Novelty
- Components

FEATURES

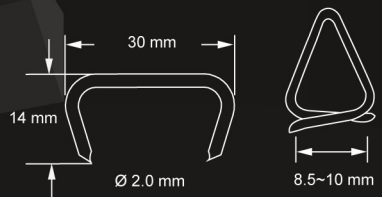
- Air Return
- Balanced, lightweight, ergonomically designed
- Easy-to-load magazine
- 360° rotation magazine

15 GA. Pneumatic D-Ring Pliers

Model No: DP30A



Model No	DP30A
L x W x H	270x85x255 mm
Weight	1.7 kgs
Crown	30 mm
Shank Dia.	2.0 mm
Shank Height	14 mm
Clousure Size	8.5~10 mm
Capacity	50 pcs



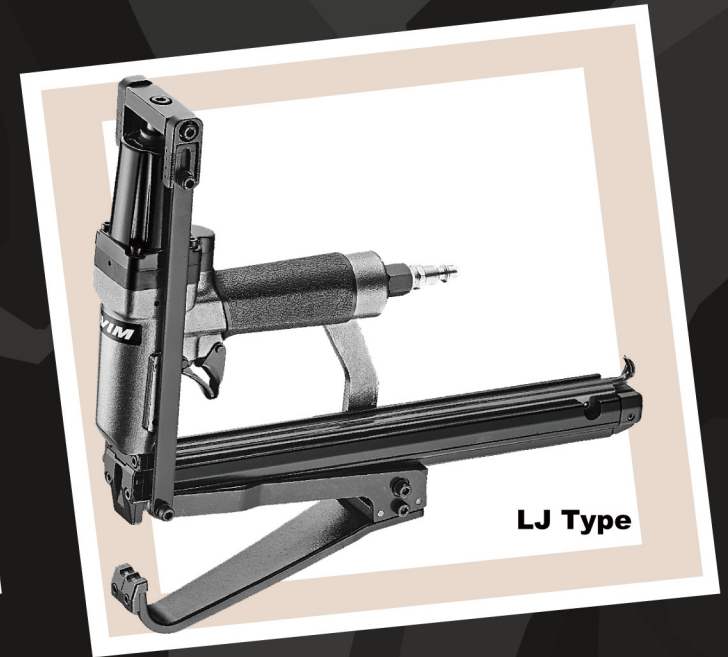
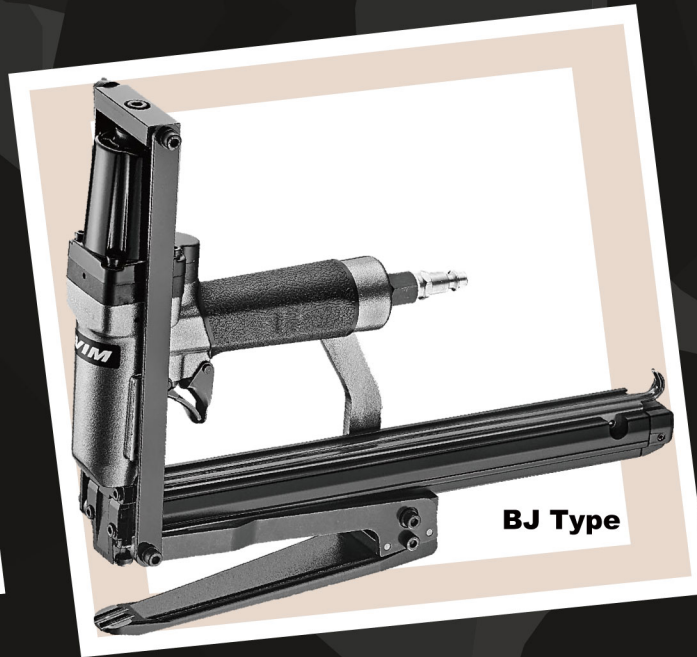
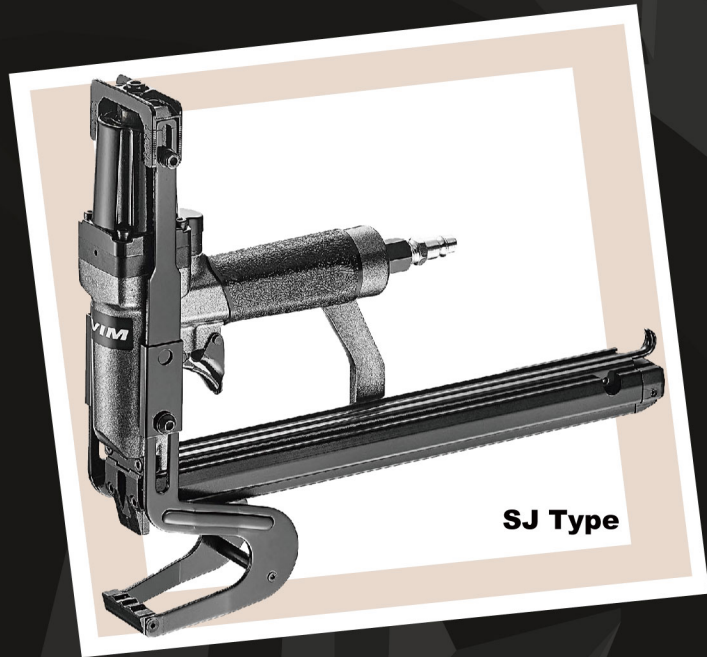
APPLICATION

- Furniture
- Innerspring mattresses
- Bedding

FEATURES

- Balanced, lightweight, ergonomically designed
- Easy-to-load magazine
- 360° rotation magazine

Bedding / Carton Pliers



Model No	SJ Type	BJ Type	LJ Type
L x W x H	302x63x362 mm	306x63x362 mm	325x63x362 mm
Weight	2.1 kgs	2.2 kgs	2.2 kgs

Model No	Crown(A)	Width(B)xThickness(C)	Length(D)	Capacity
P88SJ / P88BJ / P88LJ	13.2 mm	0.5 x 1.2 mm	12~25 mm	200 pcs
P11025SJ / P11025BJ / P11025LJ	13.2 mm	0.6 x 1.6 mm	12~25 mm	200 pcs
P11025KSJ / P11025KBJ / P11025KLJ	12.8 mm	0.6 x 1.6 mm	12~25 mm	200 pcs
F1B77716SJ / F1B77716BJ / F1B77716LJ	12.6 mm	0.7 x 2.3 mm	8~16 mm	100 pcs
F1B77725SJ / F1B77725BJ / F1B77725LJ	12.6 mm	0.7 x 2.3 mm	16~25 mm	100 pcs
F1B77916SJ / F1B77916BJ / F1B77916LJ	12.5 mm	0.6 x 1.3 mm	8~16 mm	168 pcs
F1B77925SJ / F1B77925BJ / F1B77925LJ	12.5 mm	0.6 x 1.3 mm	16~25 mm	168 pcs
19525SJ / 19525BJ / 19525LJ	12.8 mm	0.65 x 1.8 mm	12~25 mm	200 pcs
8016SJ / 8016BJ / 8016LJ	12.9 mm	0.65 x 0.95 mm	8~16 mm	250 pcs
8025SJ / 8025BJ / 8025LJ	12.9 mm	0.65 x 0.95 mm	12~25 mm	250 pcs
1216JSJ / 1216JBJ / 1216JLJ	12.8 mm	0.55 x 1.27 mm	6~16 mm	200 pcs
F16J16SJ / F16J16BJ / F16J16LJ	11.9 mm	0.55 x 1.9 mm	8~16 mm	200 pcs



APPLICATION

- Furniture, bedding
- Ticking(Flange) to innerspring
- Novelty
- Components

FEATURES

- Easy loading

